

ARMSTRONG

The Ladder that Works . . .

. . . now Telescopes!



**Transom
Mount**



Slide-Out

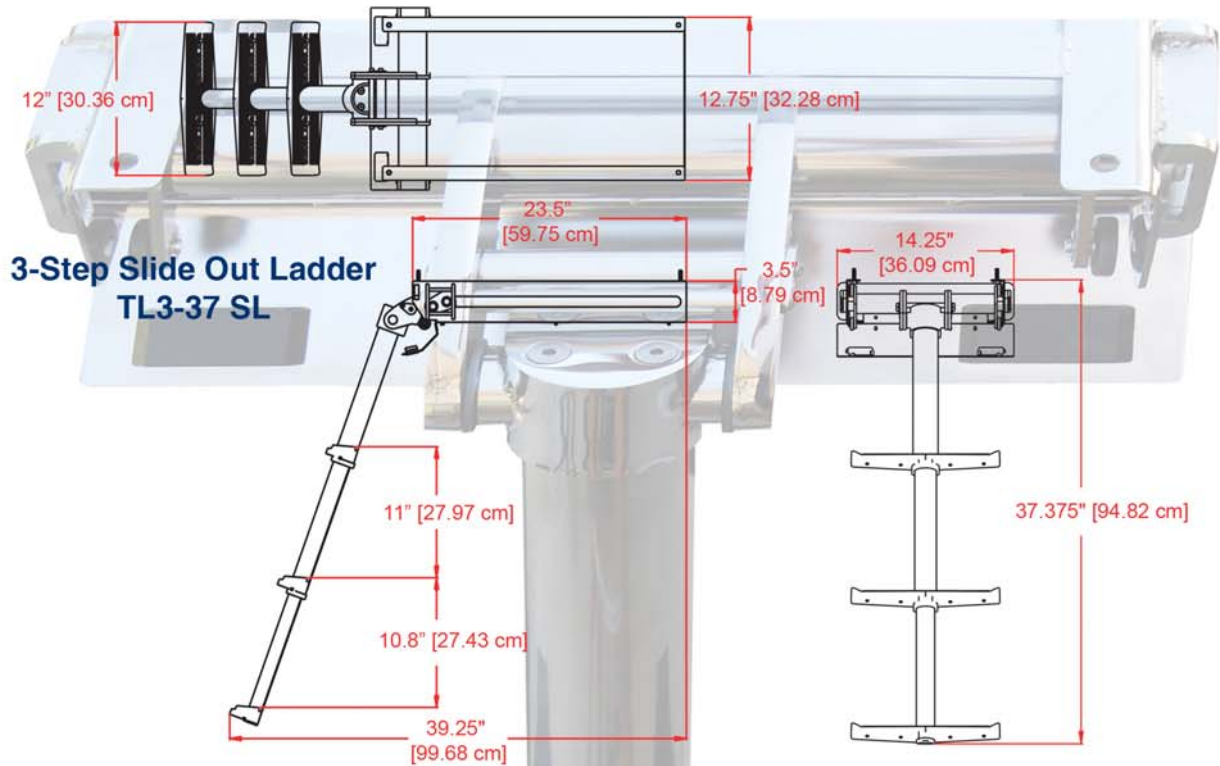


**Deck
Mount**

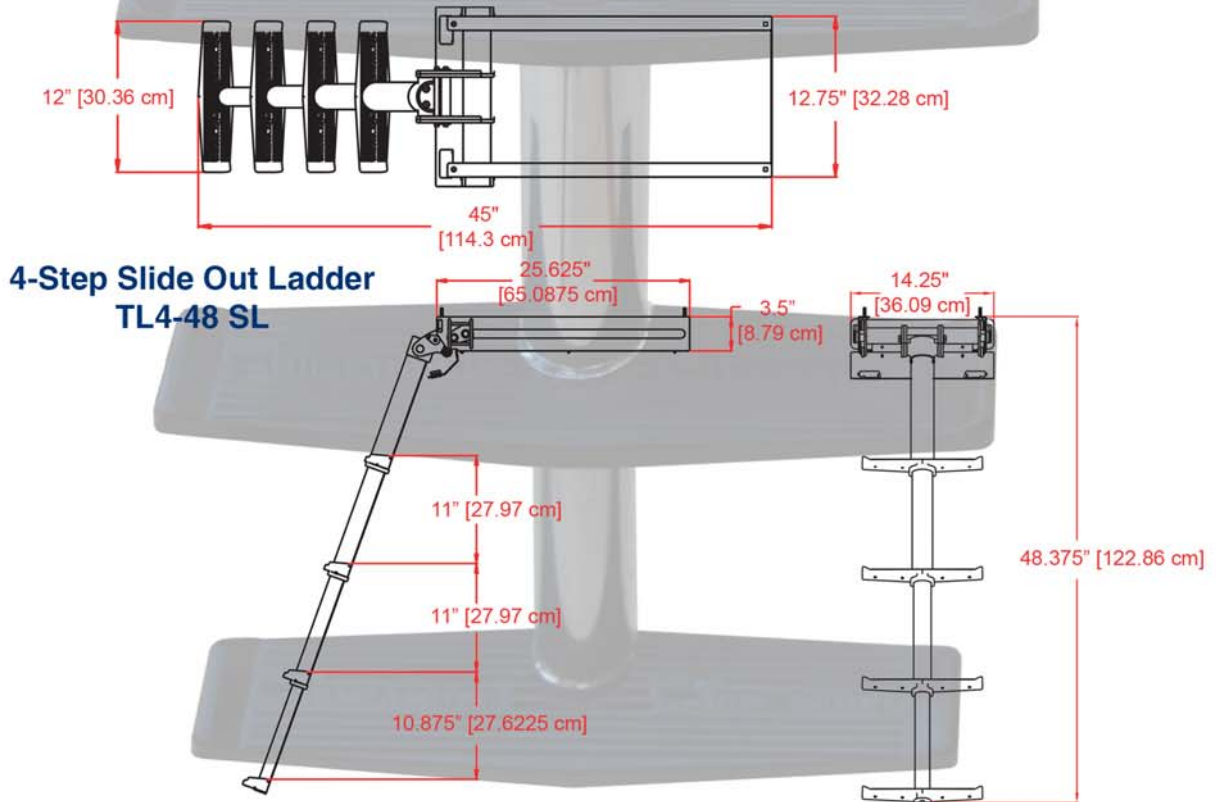
- Deployable from the Water
- 316 Stainless Steel Construction
- Comfort angled like a step ladder
- Flat Steps with Molded Tread
- Meets ABYC H-41 Standards
- US and EC Patents Pending



Made in the USA



**Jewel Like Finish,
Smooth Precision Action,
The Only Ladder for your Yacht.**



3140 S.E. Dominica Terrace
Stuart, Florida 34997
772-286-7204



Made in the USA



ARMSTRONG NAUTICAL PRODUCTS

A Division of Vallery Industries, Inc.

772-286-7204

www.armstrongnautical.com

sales@armstrongnautical.com